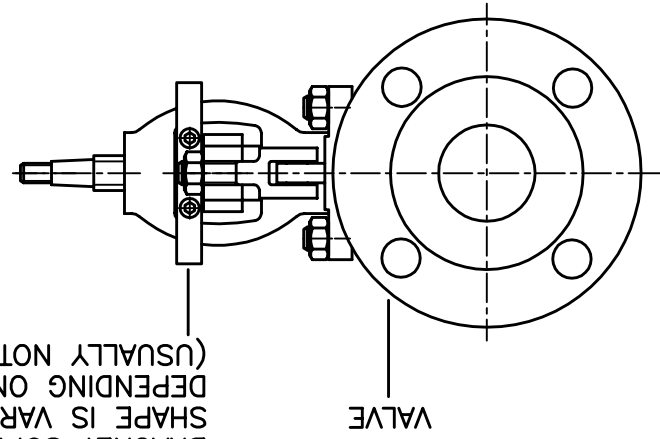


1

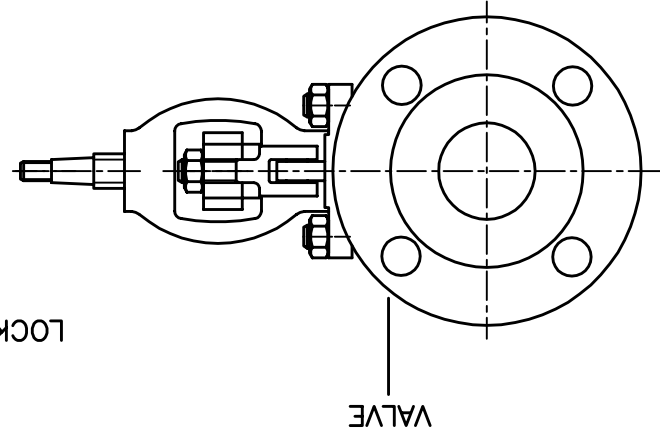
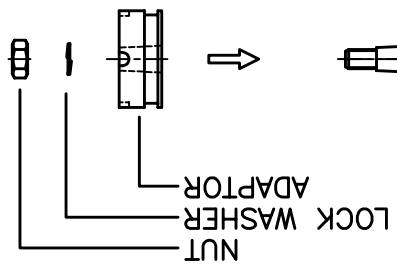
TAKE THE ORIGINAL HANDWHEEL OFF THE VALVE.

BRACKET SUPPORT
SHAPE IS VARIOUS,
DEPENDING ON VALVE-TYPE
(USUALLY NOT APPLICABLE)



2

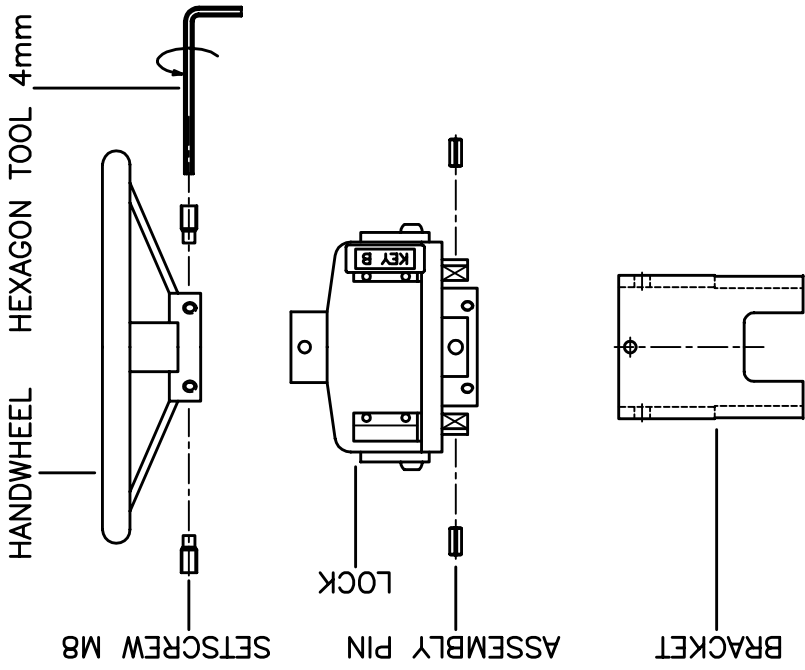
MOUNT THE BRACKET-SUPPORT, IF APPLICABLE.



3

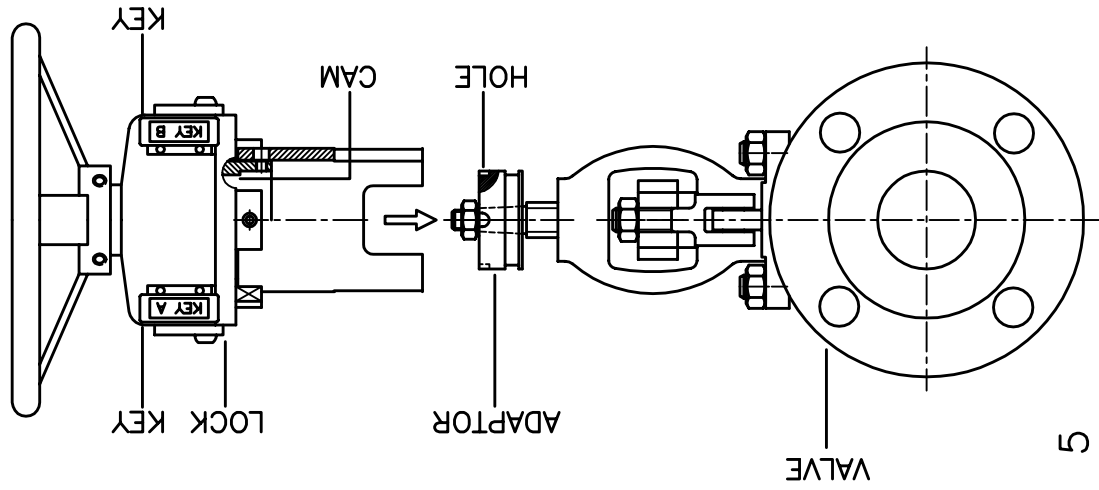
MOUNT THE ADAPTOR ON THE VALVE-SPINDLE WITH THE ORIGINAL BOLT OR NUT AND LOCK WASHER.

		Altonhauserstraße 21, D-83517 Rosenbach Tel.: ++49(0)89 849307-0 E-Mail: info@gst-systeme.de Copyright: GST-SYSTEME GMBH		Rev.	Drawn	Date	Checked
		Drawn: JP	Date: 03.09.1997	Checked:			
Mounting Instruction for Valves/gearboxes MRL Multy-Rotating-Lock Page 1 of 3							
Drawingnumber:							LS1200032R01



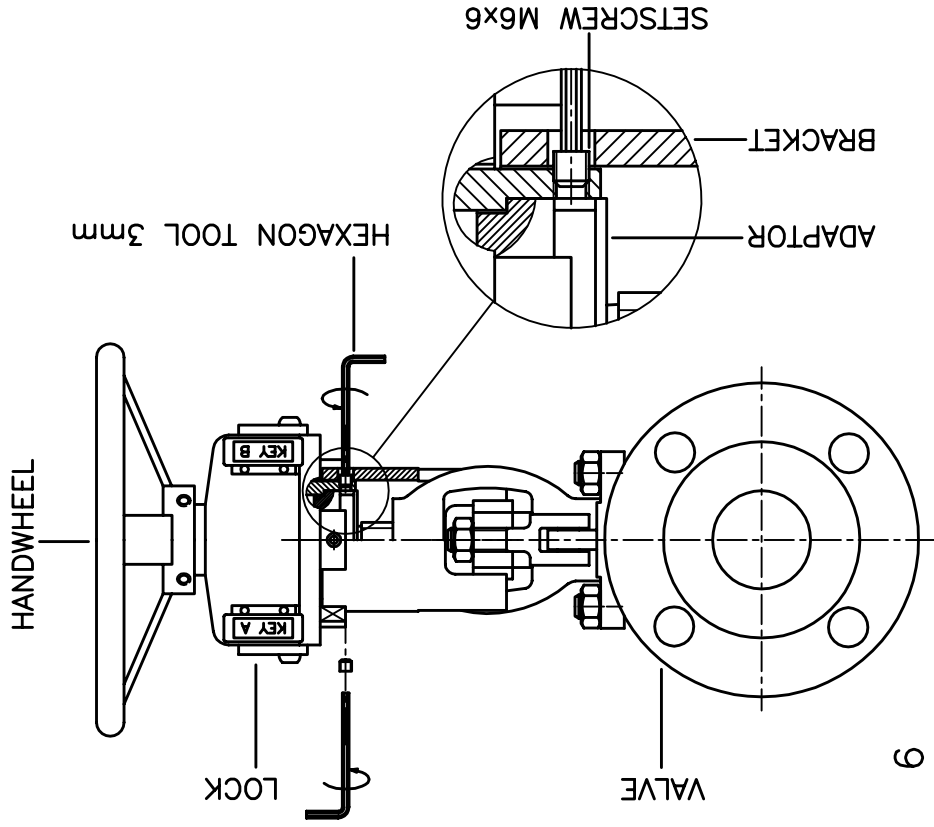
4

MOUNT THE HANDWHEEL WITH 4 SETSCREWS M8 AND MOUNT THE BRACKET WITH 4 ASSEMBLY PINS.



5

INSERT ALL (1 OR 2) KEYS IN THE LOCK AND PLACE IT ON THE ADAPTOR. BE SURE THAT THE CAMS OFF THE LOCK FALL INTO THE HOLES OF THE ADAPTOR.



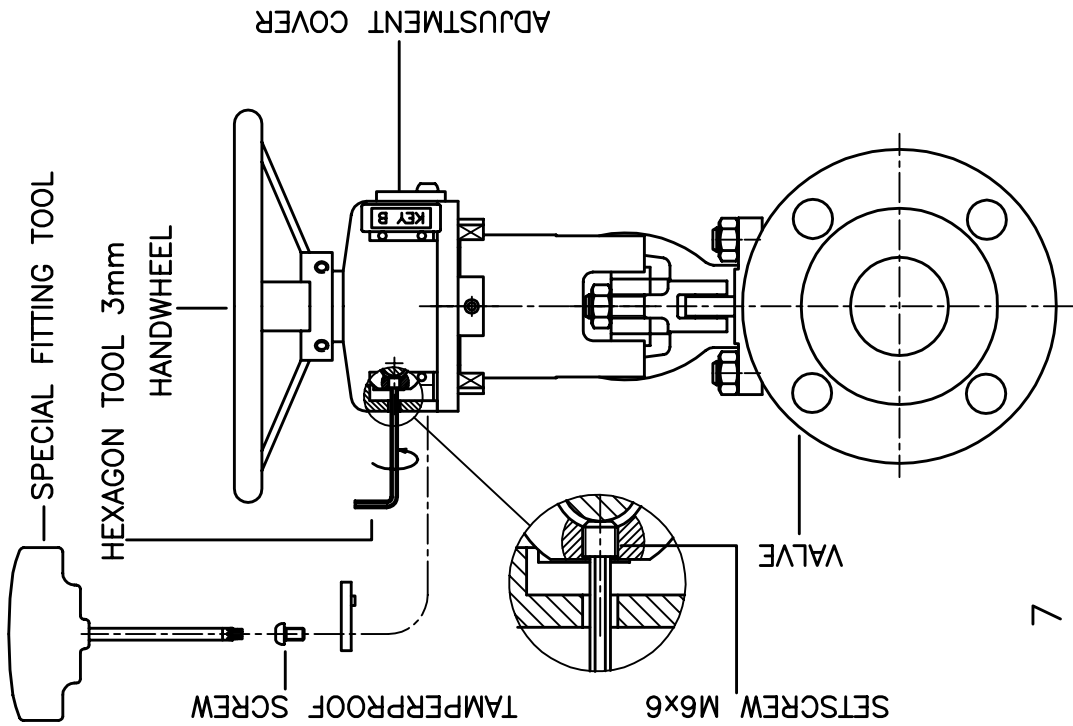
6

ATTACH THE LOCK TO THE ADAPTOR THROUGH 2 HOLES IN THE BRACKET WITH 2 SETSCREWS M6x6. THEN TURN THE HANDWHEEL 90° AND MOUNT THE OTHER TWO SETSCREWS.

GST SYSTEME		Rev.	Drawn	Date	Checked
Alte Mainstraße 21, D-68577 Rothenbach					
Tel. +49 6201 9490					
Fax +49 6201 9491					
Copyright © GST SYSTEME GMBH					
Drawn:	JP	Date:	03.09.1997	Checked:	

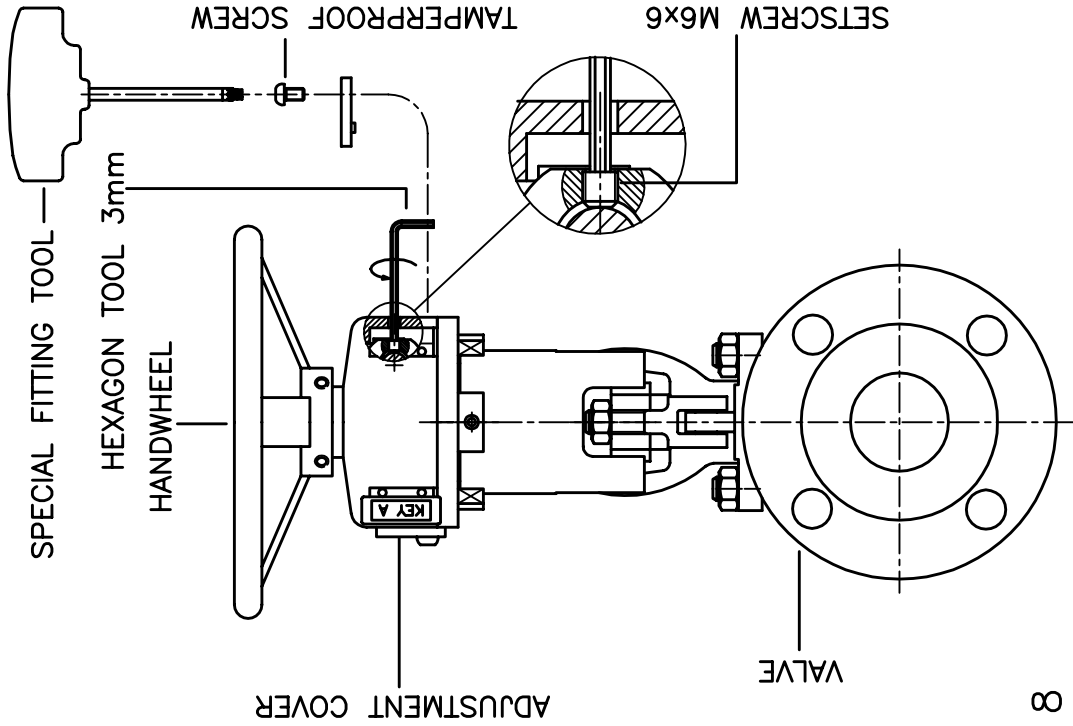
Mounting Instruction for Valves/Gearboxes
MRL Multi-Rotating-Lock
Page 2 of 3

Drawingnumber: LS1200033R01



7

IF THE VALVE HAS TO BE LOCKED CLOSED:
 CLOSE THE VALVE WITH ALL KEYS INSERTED
 AND TAKE THE LEFT ADJUSTMENT COVER
 FROM THE LOCK.
 ADJUST THE CLOSED POSITION BY FASTENING
 2 SETSCREWS M6x6.
 IF THE ADJUSTMENT IS CORRECT, THE LEFT
 (CLOSE) KEY CAN BE RELEASED.



8

IF THE VALVE HAS TO BE LOCKED OPEN (TOO):
 OPEN THE VALVE WITH ALL KEYS INSERTED
 AND TAKE THE RIGHT ADJUSTMENT COVER
 FROM THE LOCK.
 ADJUST THE OPEN POSITION BY FASTENING
 2 SETSCREWS M6x6.
 IF THE ADJUSTMENT IS CORRECT, THE RIGHT
 (OPEN) KEY CAN BE RELEASED.

NOTE: If the seat wears with the years and the handwheel can be turned 1 rotation further, the (close) key can't be released anymore. Then the lock has to be readjusted.

READJUSTMENT:
 Take the adjustment cover from the lock and turn the handwheel until the two setscrews are visible.
 Loosen the two setscrews and then follow the instructions at point 7 and/or 8.



Drawn: JP	Date: 03.09.1997	Checked:
Rev.	Drawn	Date
Checked		
Mounting Instruction for Valves/Gear-boxes		
MRL Multy-Rotating-Lock		
Page 3 of 3		
Drawingnumber:	LS1200034R01	